

# SV-07 Selector Valve



- Support a variety of flow path collocation which meets the needs of different customers.
- Runze patented product, sapphire valve rotor and stator, which resist to corrosion, high-pressure, high-temperature and high wear resistance, biocompatible and suitable for a variety of special media
- Supports multiple communication: RS232/RS485/CAN bus
- High efficiency and maintenance-free
- Small footprint suits limited spaces.
- Widely used in environmental analysis instruments, laboratory analyzers, medical analysis equipment, and chromatographic analyzers, etc.

**QHF-SV07 - X - S - T10 - K1.2 - S**

Model No.    Valve type    Small low voltage    Configuration    Orifice    Sapphire

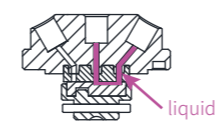
①	T6	6-port	②	K1.0	Orifice 1.0mm
	T8	8-port		K1.2	Orifice 1.2mm
	T10	10-port		K3.0	Orifice 3.0mm
	T12	12-port			
	T16	16-port			

only 6/8 ports support 3mm orifice

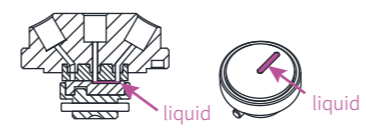
## Technical Parameter

Configuration	6/8/10-port	12-port	16-port
Flow Passage Diameters	1.2mm	1.0mm	1.0mm
Dead Volume	Port to Port 27.5μl Rotor Slot Volume 5.41μl	Port to Port 22.43μl Rotor Slot Volume 6.08μl	Port to Port 33.68μl Rotor Slot Volume 10.4μl
Wetted material	PCTFE Valve head, Sapphire rotor and stator		
Pressure rating	0-0.3Mpa (air) / 0-1.6Mpa (water)		
Origin detection	Auto reset to initial position when powered on (this function can be opened or closed)		
Liquid temperature	0-150°C		
Connection	1/4-28UNF		
Replaceable parts	Stator replaceable, sealed rotor irreplaceable		
Transposition	Random start to any specific port		
Driver	Non-optional		
Valve drive	≤2s/circle	≤2s/circle	≤3.3s/circle
Baud rate	RS232/RS485: 9600bps, 19200bps, 38400bps, 57600bps, 115200bps CAN: 100Kbps, 200Kbps, 500Kbps, 1Mbps		
Address & Parameter setting	Via communication		
Power supply	DC24V/3A		
Power	25W		
Operating temperature	-10°C~+50°C		
Operating humidity	<80% relative humidity, non-condensing		
Dimension (L*W*H)	60*51*150mm	60*51*160.5mm	60*51*179.5mm
Net Weight	0.73kg	0.86kg	1.02kg

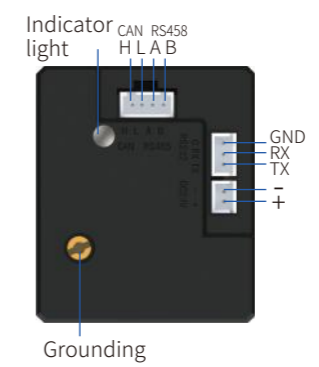
## Port-to-Port Volume



## Rotor Slot Volume

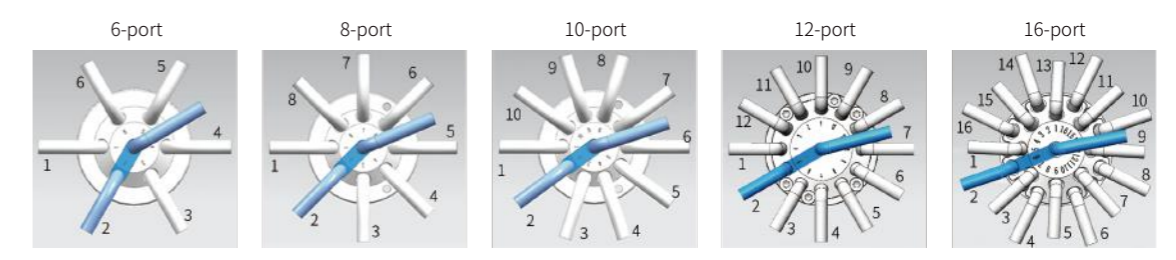


## Driver Port



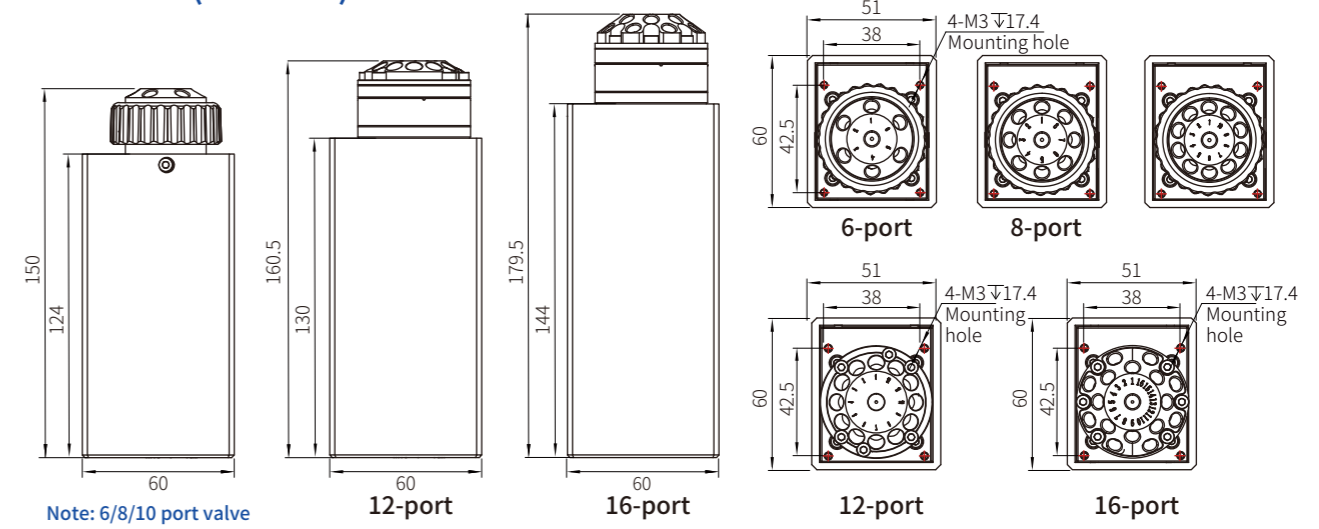
Port	Description
+	DC24V Positive
-	DC24V Negative
TX	RS232 Data Input
RX	RS232 Data Output
GND	GND
H	CANH
L	CANL
A	RS485A
B	RS485B

## Flow Configuration



1. Center port is public port, valve switch to specific port by programming control
2. Wetted material - PCTFE valve head and sapphire valve rotor and stator, non-metal, anti-corrosive, anti-high temperature, wear resistance
3. Flow configuration - 6/8/10/12/16 port and orifice 1.0/1.2mm to meet different applications
4. Reset position - SV-07 valve resets by CCW (non-changeable), rotor stays between port 1 and maximum port, and the public port disconnected with any port when valve at reset status
5. OEM service - RUNZE supports special flow path design and customize, and its flow path configuration can meet the most common applications. RUNZE already declared the patent of a typical cross-contamination-free flow path solution, widely used in various analysis industries, and can provide overall flow path solutions for different needs of customers

## Dimension (Unit: mm)



Note: 6/8/10 port valve shares the same dimension