



Low Pressure Male Union

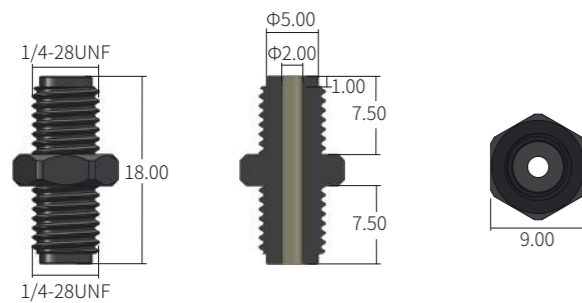
硬管接头

Low-Pressure unions are straight shaped with standard 1/4-28UNF male threads at both sides, black PPS colored, 2mm flow channel that used for female 1/4-28 flat bottom.

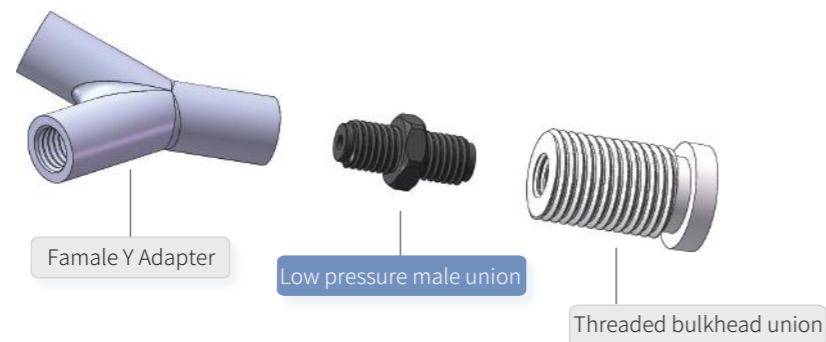
- PPS materials featured with high strength even under wide temperature range -50 C ~ +150 C , excellent heat and chemical resistance to transfer different chemical solvents
- Precise standard thread to match with female ports to ensure good tightness and high reliability
- Come with our female connectors and bulkheads to realize the connection of different types of tubes

| Model No. | | | Specification | | | |
|----------------|---------|----------|---------------|-----------|----------|-------|
| WC | - | 28 | Model No. | Thread | Material | Color |
| S | | | WC-28S | 1/4-28UNF | PPS | Black |
| Model No. | Thread | Material | | | | |
| 28 - 1/4-28UNF | S - PPS | | | | | |

Dimension (unit: mm)



Connection



Barb-to-Female Adapter

混合接头

Elbow Barb-to-Female Adapters are used to navigate tight corners for flexible tubing transited to rigid tubing. One end is for connecting flexible tubing ID2.4-3.2mm, another end is for connecting flanged or flangeless fittings for rigid tubing.

Straight Barb-to-Female Adapters are used to transit flexible tubing into rigid tubing. One end is for connecting flexible tubing ID0.8-3.2mm, another end is for connecting flanged or flangeless fittings for rigid tubing.

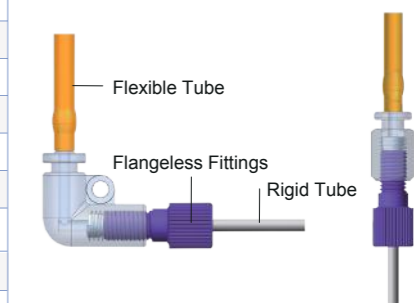
| Model No. | | | |
|--|----------------|----------------|----------|
| NL05 | - | 32 | - |
| | | 28 | P |
| Model No. | Tubing ID | Thread | Material |
| NL05 - Elbow Barb-to-Female Adapter | 16 - 1.0-1.6mm | 28 - 1/4-28UNF | P - PP |
| NI06 - Straight Barb-to-Female Adapter | 24 - 1.6-2.4mm | | E - PTFE |
| | 32 - 2.4-3.2mm | | |

NI06-24-28E
Barb-to-Female adapter made of 1/4-28UNF female thread, PTFE material, suit for flexible tubing ID1.6-2.4mm

Specification

| Model No. | Product Name | Tubing ID | Thread | Material |
|-------------|---------------------------------|-----------|-----------|----------|
| NL05-32-28P | Elbow Barb-to-Female Adapter | 2.4~3.2mm | 1/4-28UNF | PP |
| NL05-32-28E | Elbow Barb-to-Female Adapter | 2.4~3.2mm | 1/4-28UNF | PTFE |
| NI06-16-28P | Straight Barb-to-Female Adapter | 1.0~1.6mm | 1/4-28UNF | PP |
| NI06-16-28E | Straight Barb-to-Female Adapter | 1.0~1.6mm | 1/4-28UNF | PTFE |
| NI06-24-28P | Straight Barb-to-Female Adapter | 1.6~2.4mm | 1/4-28UNF | PP |
| NI06-24-28E | Straight Barb-to-Female Adapter | 1.6~2.4mm | 1/4-28UNF | PTFE |
| NI06-32-28P | Straight Barb-to-Female Adapter | 2.4~3.2mm | 1/4-28UNF | PP |
| NI06-32-28E | Straight Barb-to-Female Adapter | 2.4~3.2mm | 1/4-28UNF | PTFE |

Connection



Dimension (unit: mm)

